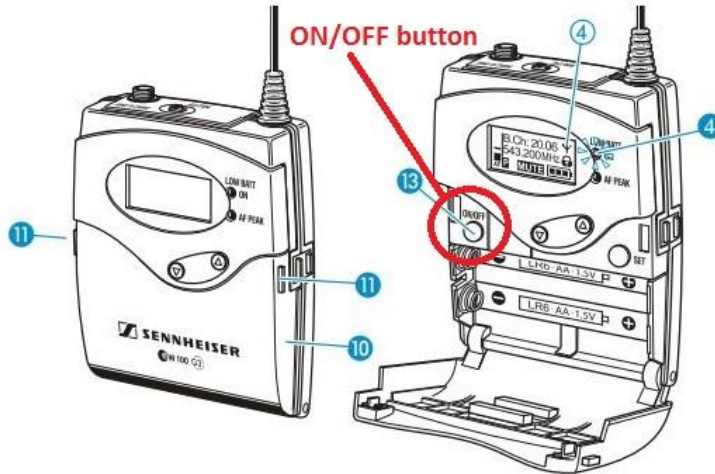


# Sennheiser EW 100 – G3 wireless microphone

To turn on the microphone, open the battery compartment door and press the ON/OFF button.

## SK 100 bodypack transmitter



To switch the bodypack transmitter **on** (online operation):

- ▶ Push the two catches 11 and open the battery compartment cover 10.

ON/OFF



- ▶ Briefly press the ON/OFF button 13.

The bodypack transmitter transmits an RF signal. The transmission icon 4 is displayed.

The red ON LED 4 lights up and the standard display "Frequency/Name" appears on the display panel.

To switch the bodypack transmitter **off**:

- ▶ If necessary, deactivate the lock mode (see page 21).

ON/OFF

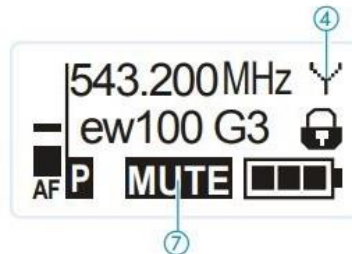


- ▶ Press the ON/OFF button 13 until "OFF" appears on the display panel. The red ON LED 4 goes off and the display panel turns off.

To mute the audio, press the MUTE button on the top of the bodypack transmitter.

## SK 100

The MUTE switch 2 allows you to mute the audio signal



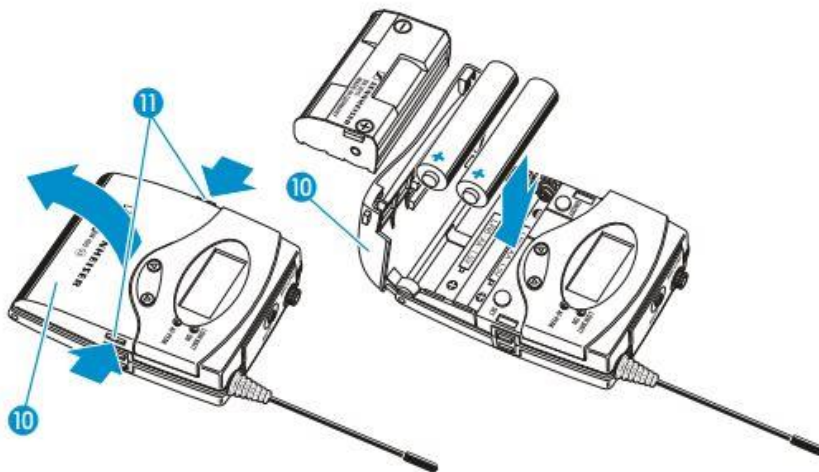
**To replace batteries, open the battery compartment and install batteries. Pay attention to battery polarity. On these microphones, the batteries go in the same direction.**

## SK 100 bodypack transmitter

### Inserting the batteries/accupack

For powering the bodypack transmitter, you can either use two 1.5 V AA size batteries or the rechargeable Sennheiser BA 2015 accupack.

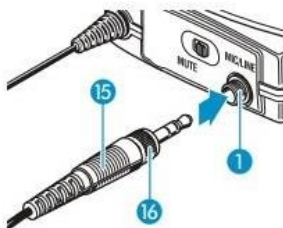
- ▶ Push the two catches **11** in the direction of the arrows and open the battery compartment cover **10**.



- ▶ Insert the two batteries or the accupack as shown above. Observe correct polarity when inserting the batteries/accupack.
- ▶ Close the battery compartment. The battery compartment cover **10** locks into place with an audible click.

**CTS has provided an over the ear microphone as well as the standard lavalier style. To connect the microphone to the bodypack, see below:**

### Connecting the microphone cable



- ▶ Connect the 3.5 mm jack plug **15** from the Sennheiser microphone or instrument cable to the 3.5 mm jack socket **MIC/LINE 1**.
- ▶ Lock the 3.5 mm jack plug by screwing down the coupling ring **16** of the cable.

**How to wear the over-the-ear microphone:**

