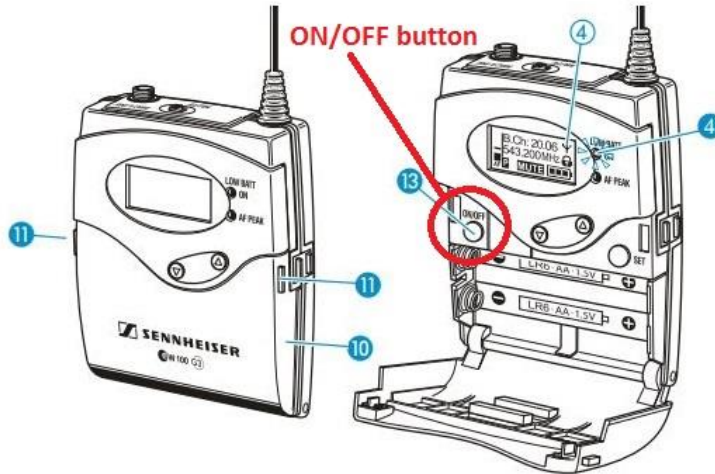


Sennheiser EW 100 – G3 wireless microphone

To turn on the microphone, open the battery compartment door and press the ON/OFF button.

SK 100 bodypack transmitter



To switch the bodypack transmitter **on** (online operation):

- ▶ Push the two catches **11** and open the battery compartment cover **10**.

ON/OFF



- ▶ Briefly press the ON/OFF button **13**.

The bodypack transmitter transmits an RF signal. The transmission icon **4** is displayed.

The red ON LED **4** lights up and the standard display "Frequency/Name" appears on the display panel.

To switch the bodypack transmitter **off**:

- ▶ If necessary, deactivate the lock mode (see page 21).

ON/OFF

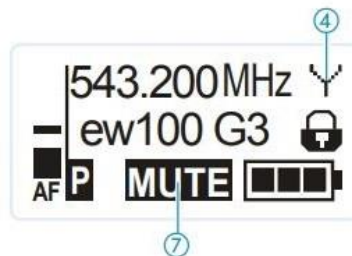


- ▶ Press the ON/OFF button **13** until "OFF" appears on the display panel. The red ON LED **4** goes off and the display panel turns off.

To mute the audio, press the MUTE button on the top of the bodypack transmitter.

SK 100

The MUTE switch **2** allows you to mute the audio signal



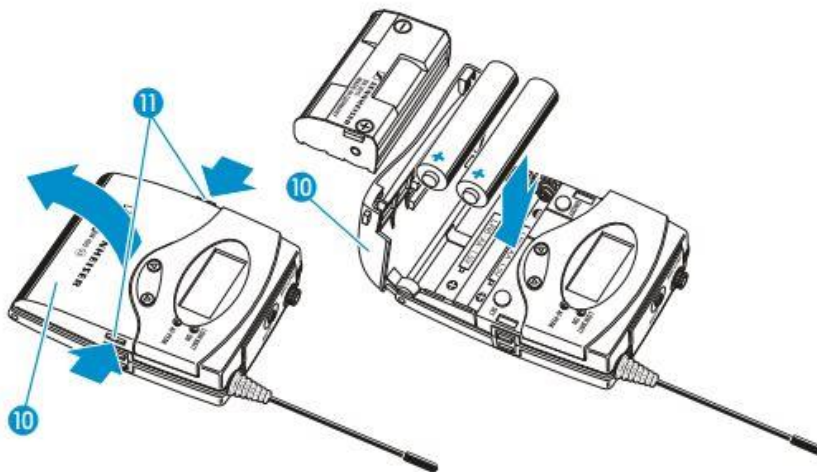
To replace batteries, open the battery compartment and install batteries. Pay attention to battery polarity. On these microphones, the batteries go in the same direction.

SK 100 bodypack transmitter

Inserting the batteries/accupack

For powering the bodypack transmitter, you can either use two 1.5 V AA size batteries or the rechargeable Sennheiser BA 2015 accupack.

- ▶ Push the two catches **11** in the direction of the arrows and open the battery compartment cover **10**.



- ▶ Insert the two batteries or the accupack as shown above. Observe correct polarity when inserting the batteries/accupack.
- ▶ Close the battery compartment. The battery compartment cover **10** locks into place with an audible click.