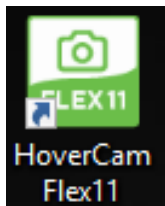


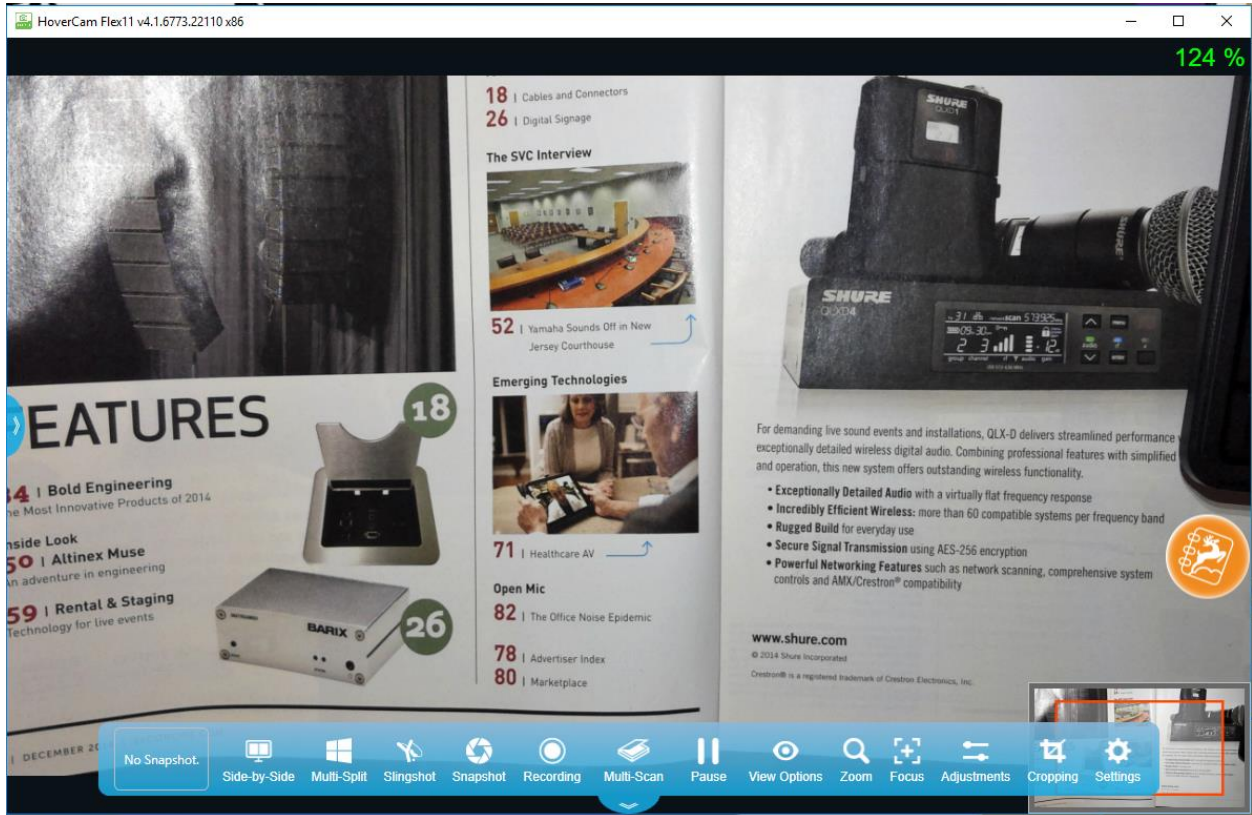
HoverCam Solo 8/Plus USB document camera instructions

2018 Flex 11 software

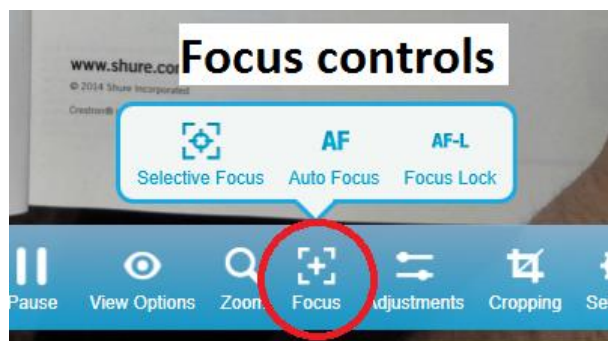
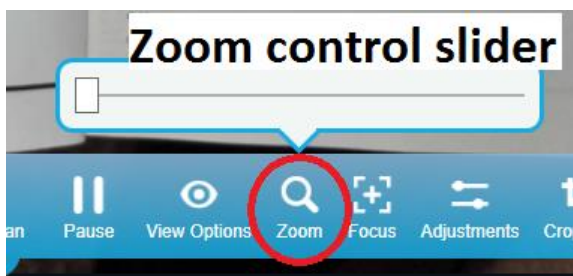
Select in the **PC input** on the control panel. Double click the **FLEX 11 shortcut icon** on the **PC desktop**



The HoverCam Flex 11 software will open and the live image from the document camera will be on the local monitor and on the projected image.

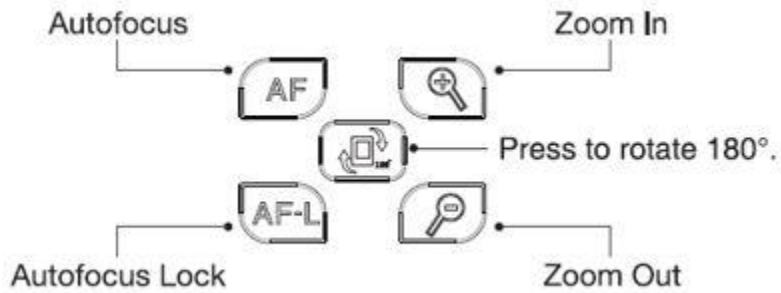


Position item under camera, use **Zoom** and **Focus** buttons in the software – see below.



(more information on other side)

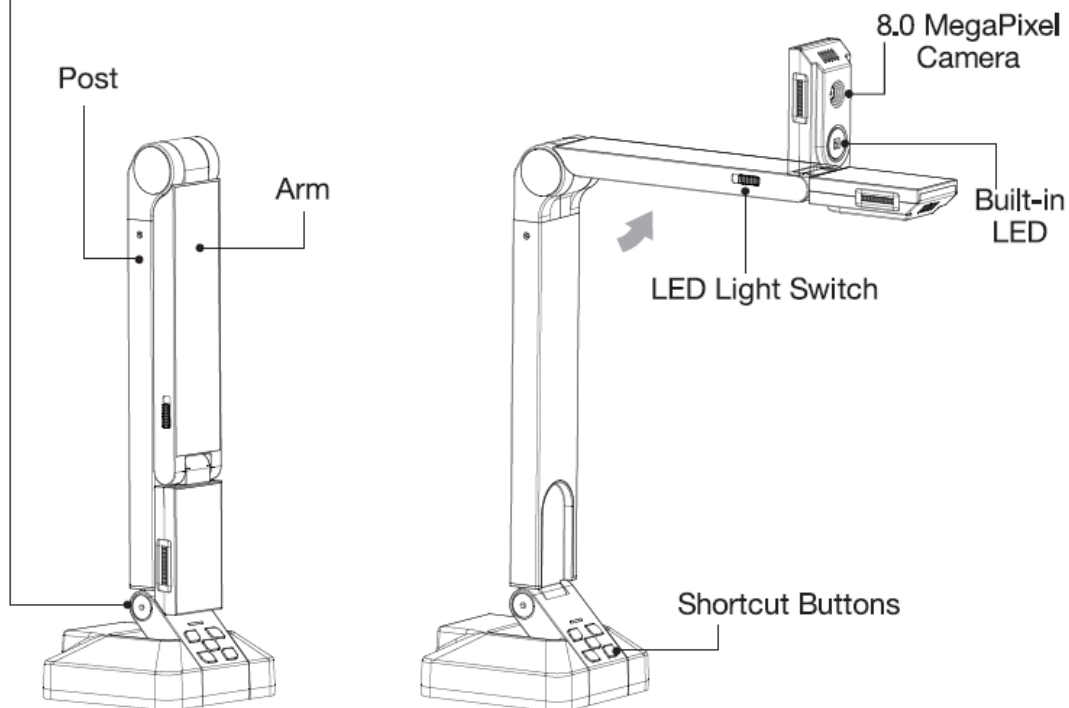
Alternately, adjustments are available via the Zoom and Focus buttons on the camera base.



Note: Because the HoverCam is an USB based camera with built in mic, it doubles as a webcam for Skype, WebEx, or other web based conferencing solutions.

User Manuals and tutorial videos can be found here: <https://thehovercam.desk.com/> .

Physical adjustments of the HoverCam Solo 8 help position the item you wish to show in the best location for viewing.



(more information on other side)